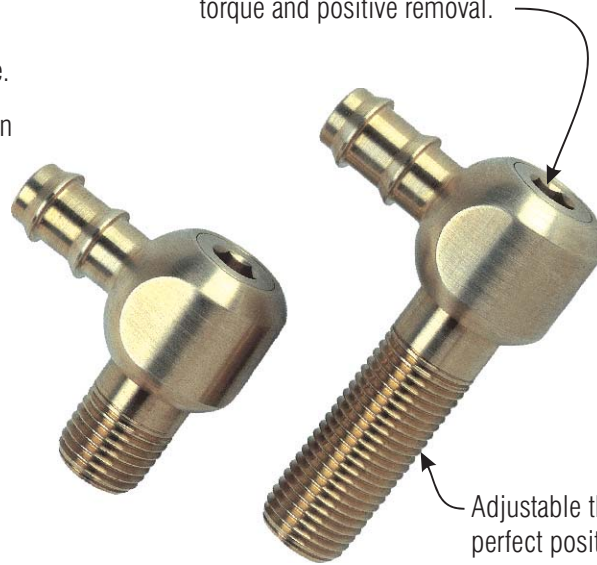


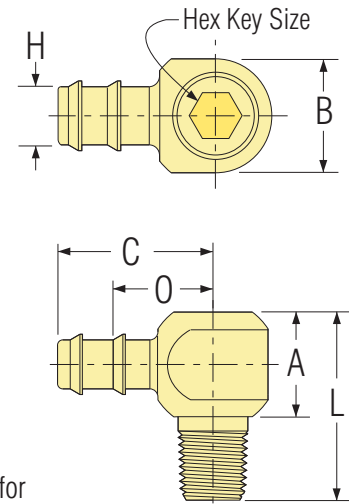
Swivel Type Water Jumpers

- Can be fully recessed to prevent accidental disconnect or damage.
- Swivel body allows for installation in tight spaces.
- Eliminate crimped hoses and setup errors.
- Viton O-ring seals.
- All brass construction
- Easy hex key installation.
- Custom Length Water Jumpers available.

Heavy duty hex key socket allows maximum torque and positive removal.



Adjustable thread for perfect positioning.



Catalog Number	Pipe Size NPT	Hose I.D. Size H	Hex Key Size	L	A	C	O	B	For Recessed Installation		Stock Item
									Min. Slot Width	Min. Slot Depth	
WJ18-S	1/8	5/16	3/16	1 3/16	1 1/16	1	5/8	.660	1 1/16	1	•
WJ18-M	1/8	5/16	3/16	2	1 1/16	1	5/8	.660	1 1/16	1	•
WJ18-L	1/8	5/16	3/16	3 1/2	1 1/16	1	5/8	.660	1 1/16	1	•
WJ14-S	1/4	3/8	1/4	1 7/16	1 3/16	1 3/16	25/32	.840	7/8	1 3/16	•
WJ14-M	1/4	3/8	1/4	2 3/8	1 3/16	1 3/16	25/32	.840	7/8	1 3/16	•
WJ14-L	1/4	3/8	1/4	3 7/8	1 3/16	1 3/16	25/32	.840	7/8	1 3/16	•
WJ38-S	3/8	1/2	5/16	1 5/8	1	1 3/8	15/16	.980	1	1 3/8	•
WJ38-M	3/8	1/2	5/16	2 5/8	1	1 3/8	15/16	.980	1	1 3/8	•
WJ38-L	3/8	1/2	5/16	4 1/8	1	1 3/8	15/16	.980	1	1 3/8	•
WJ50-S	1/2	3/4	3/8	2	1 1/8	1 1/2	1 1/8	1.235	1 1/4	1 9/16	•
WJ50-M	1/2	3/4	3/8	3	1 1/8	1 1/2	1 1/8	1.235	1 1/4	1 9/16	•
WJ50-L	1/2	3/4	3/8	4 1/2	1 1/8	1 1/2	1 1/8	1.235	1 1/4	1 9/16	•

Flow Data

