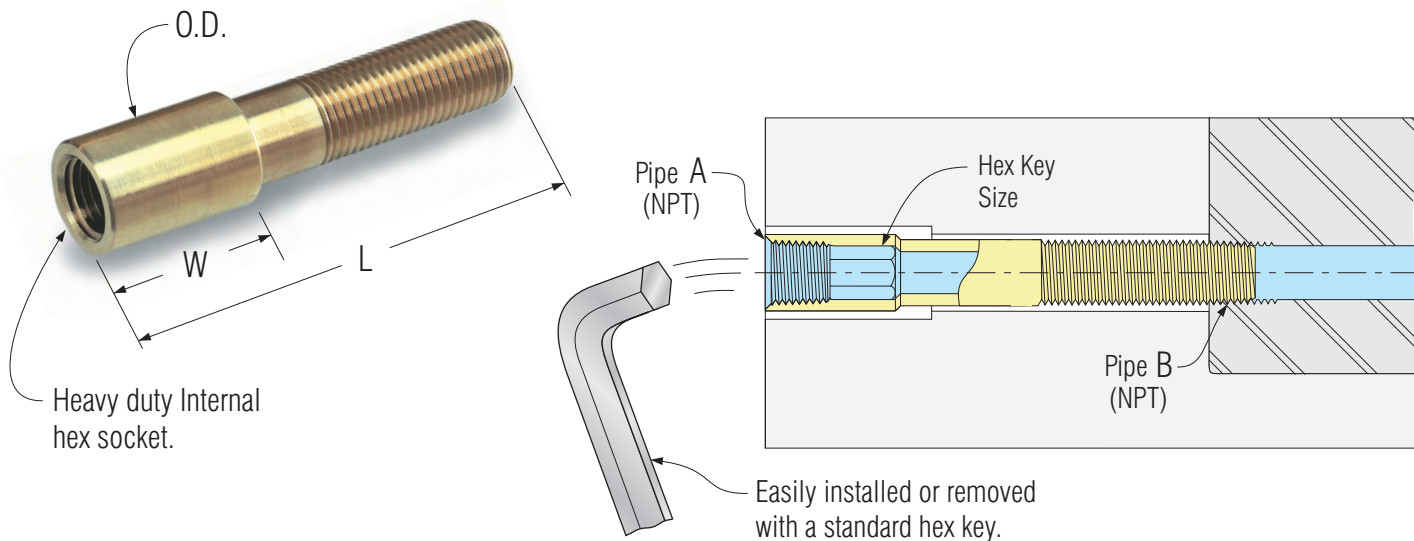


HexKey Extension Pipes

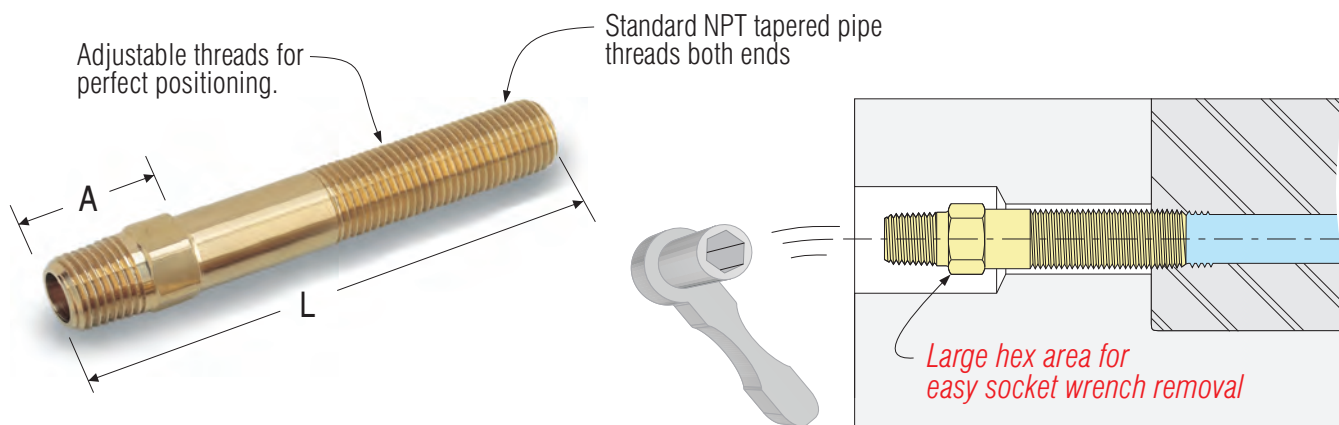


- HexKey Extension Pipes are available in a wide variety of special lengths and threads.
- Accurate length adjustments are easy with the Custom Mold adjustable thread system.

Catalog Number	Pipe Size A	Pipe Size B	W	O.D.	Hex Key Size	Overall Length "L"					Stock Item
						2½"	4"	5½"	7"	8½"	
EP18-	1/8	1/8	3/4	1/2	1/4	•	•	•	•	•	Stock Item
EP14-	1/4	1/4	1	11/16	3/8	•	•	•	•	•	
EP38-	3/8	3/8	1¼	13/16	1/2	•	•	•	•	•	
EP50-	1/2	1/2	1½	1	9/16	•	•	•	•	•	

To order, specify Catalog Number and Overall Length. Example: EP14-2½

Adjustable Hex Nipples



- Especially useful when installing Cascade Heads, Hex Elbows, etc. Inside molds and slides.
- Longer or special exact lengths available.
- Also available in special thread combinations. (Including BSP)

Catalog Number	Pipe Size (NPT)	A	Hex Size	Overall Length "L"								Stock Item
				2½	4	5½	7	8½	10	11½	13	
APN16-	1/16	1/16	3/8	•	•	•	•	•	•	•	•	Stock Item
APN18-	1/8	3/4	7/16	•	•	•	•	•	•	•	•	
APN14-	1/4	7/8	9/16	•	•	•	•	•	•	•	•	
APN38-	3/8	1	11/16	•	•	•	•	•	•	•	•	
APN12-	1/2	1 3/8	7/8	•	•	•	•	•	•	•	•	

To Order, specify Catalog Number & Overall Length. Example: APN14-2½

