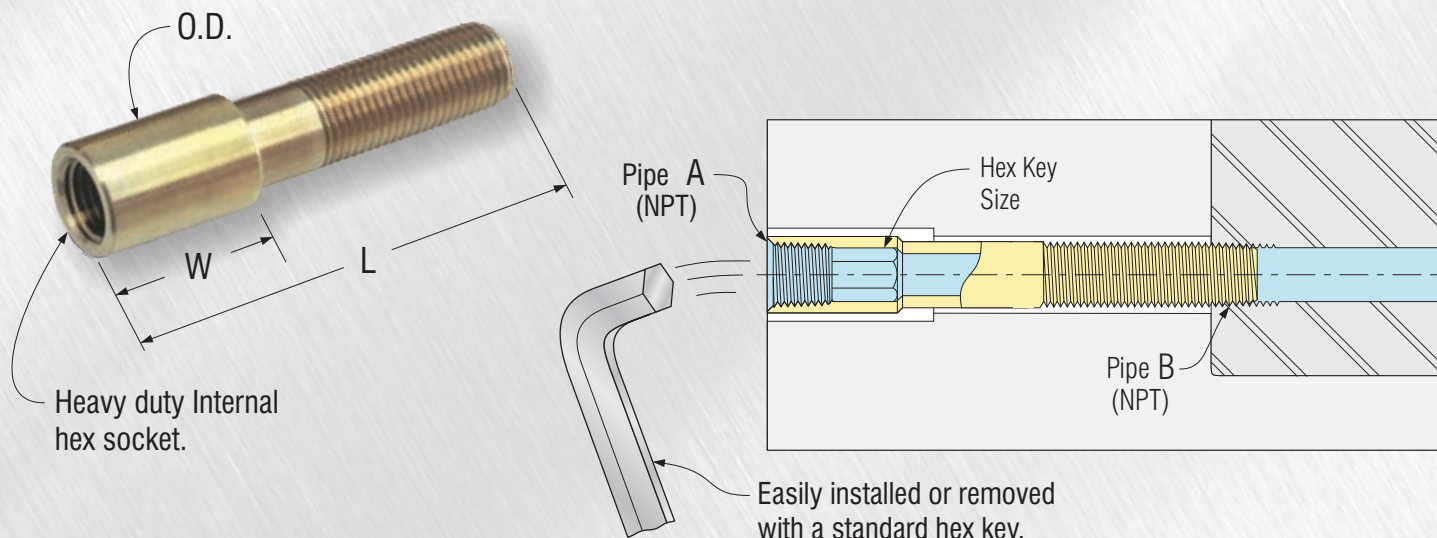


# Hex Key Extension Pipes



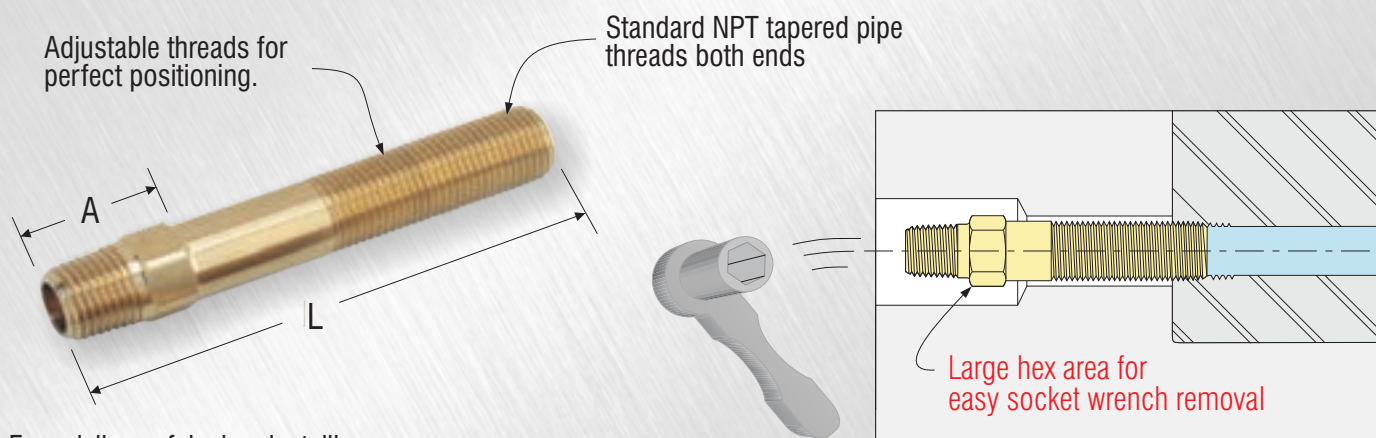
■ **HexKey** Extension Pipes are available in a wide variety of special lengths and threads.

■ Accurate length adjustments are easy with the Custom Mold adjustable thread system.

Catalog Number	Pipe Size A	Pipe Size B	W	O.D.	Hex Key Size	Overall Length "L"					Stock Item
						2½"	4"	5½"	7"	8½"	
EP18-	1/8	1/8	3/4	1/2	1/4	•	•	•	•	•	
EP14-	1/4	1/4	1	11/16	3/8	•	•	•	•	•	
EP38-	3/8	3/8	1 1/4	13/16	1/2	•	•	•	•	•	
EP50-	1/2	1/2	1 1/2	1	9/16	•	•	•	•	•	

To order, specify Catalog Number and Overall Length. Example: EP14-2½

# Adjustable Hex Nipples



■ Especially useful when installing Cascade Heads, Hex Elbows, etc. Inside molds and slides.

■ Longer or special exact lengths available.

■ Also available in special thread combinations. (Including BSP)

Catalog Number (NPT)	Pipe Size A	Hex Size	Overall Length "L"									Stock Item
			2½	4	5½	7	8½	10	11½	13		
APN16-	1/16	11/16	3/8	•	•	•	•	•	•	•	•	
APN18-	1/8	3/4	7/16	•	•	•	•	•	•	•	•	
APN14-	1/4	7/8	9/16	•	•	•	•	•	•	•	•	
APN38-	3/8	1	11/16	•	•	•	•	•	•	•	•	
APN12-	1/2	1 3/8	7/8	•	•	•	•	•	•	•	•	

To Order, specify Catalog Number & Overall Length. Example: APN14-2½

# Brass Pipe Nipples



- All Brass Pipe Nipples are in stock for immediate delivery.
- Exact length, extra long, and BSPT brass nipples are also available.

Catalog Number	Pipe Size (NPT)	CLOSE OAL	Overall Length ( In. )																		Stock Item		
			CLOSE	1	1½	2	2½	3	3½	4	4½	5	5½	6	7	8	9	10	11	12			
BPN16-	1/16	5/8	•	•	•	•	•	•	•	•	•	•	•	•	•	•	•	•	•	•	•	•	Stock Item
BPN18-	1/8	3/4	•	•	•	•	•	•	•	•	•	•	•	•	•	•	•	•	•	•	•	•	
BPN14-	1/4	7/8	•	X	•	•	•	•	•	•	•	•	•	•	•	•	•	•	•	•	•	•	
BPN38-	3/8	1	•	X	•	•	•	•	•	•	•	•	•	•	•	•	•	•	•	•	•	•	
BPN12-	1/2	1 1/8	•	X	•	•	•	•	•	•	•	•	•	•	•	•	•	•	•	•	•	•	

To Order, specify Catalog Number & Overall Length. Example: BPN14-2½

# Stainless Steel Pipe Nipples

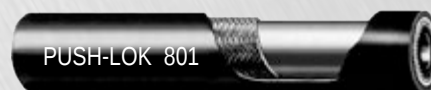


- All Stainless Steel Nipples are in stock for immediate delivery.
- Exact length, extra long, and BSPT stainless nipples are also available.

Catalog Number	Pipe Size (NPT)	CLOSE OAL	Overall Length ( In. )																		Stock Item		
			CLOSE	1	1½	2	2½	3	3½	4	4½	5	5½	6	7	8	9	10	11	12			
SSPN16-	1/16	5/8	•	•	•	•	•	•	•	•	•	•	•	•	•	•	•	•	•	•	•	•	Stock Item
SSPN18-	1/8	3/4	•	X	•	•	•	•	•	•	•	•	•	•	•	•	•	•	•	•	•	•	
SSPN14-	1/4	7/8	•	X	•	•	•	•	•	•	•	•	•	•	•	•	•	•	•	•	•	•	
SSPN38-	3/8	1	•	X	•	•	•	•	•	•	•	•	•	•	•	•	•	•	•	•	•	•	
SSPN12-	1/2	1 1/8	•	X	•	•	•	•	•	•	•	•	•	•	•	•	•	•	•	•	•	•	

To Order, specify Catalog Number & Overall Length. Example: GPN14-2½

# Push-Lok Hose - 801 Series



- Constructed of synthetic rubber tube, one textile braid reinforcement, and synthetic rubber cover.
- Temp range with water to 185° F.
- Use with Push-Lok or standard fittings.
- Red, Blue, and Grey hose in stock, 3 additional colors available.

Catalog Number	Hose I.D.	Hose O.D.	Minimum Bend Radius (in.)	Inches of Mercury	Working Pressure (PSI)	Burst Pressure (PSI)	Reel Length	Box (50ft.)	Reel
801-4	1/4	.50	2½	28	250	1000	600'	•	•
801-5	5/16	.31	3	28			250'	•	•
801-6	3/8	.63	3	28			450'	•	•
801-8	1/2	.78	5	28			300'	•	•
801-10	5/8	.91	6	15			250'	•	•
801-12	3/4	1.03	7	15			200'	•	•

To order, specify Cat. Number and Color (R=Red, GR=Gray, Y=Yellow, G=Green, B=Black, BI=Blue) Add -RL for Reel, -BX for Box. Example: 801-6-GR-RL