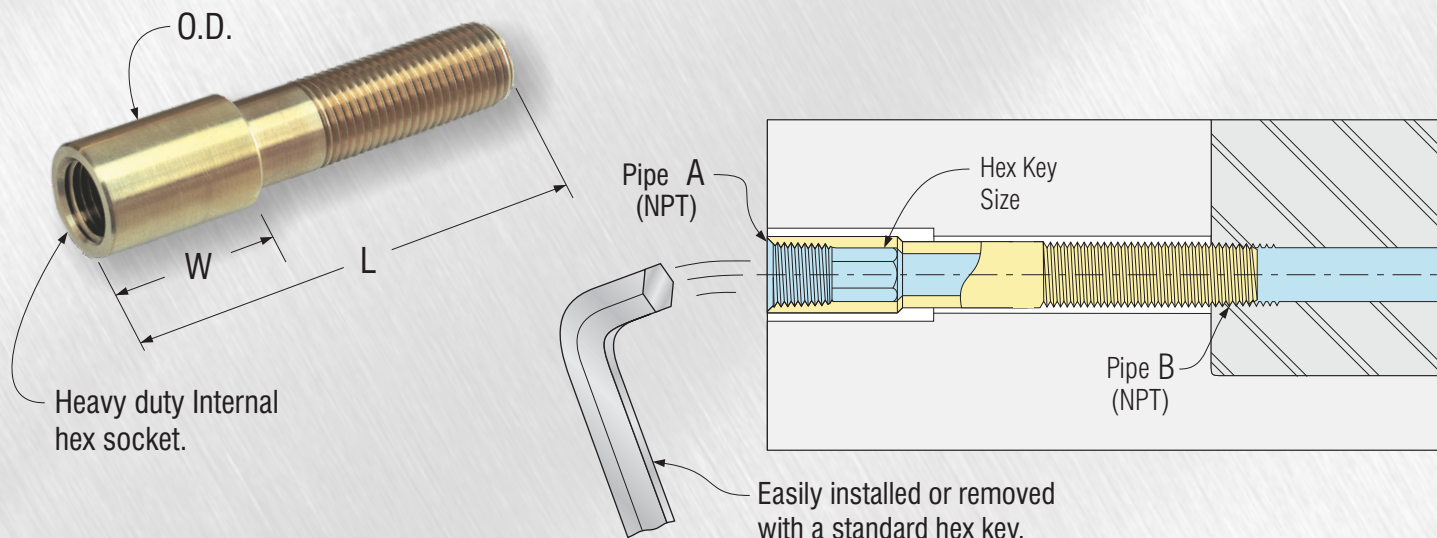


Hex Key Extension Pipes



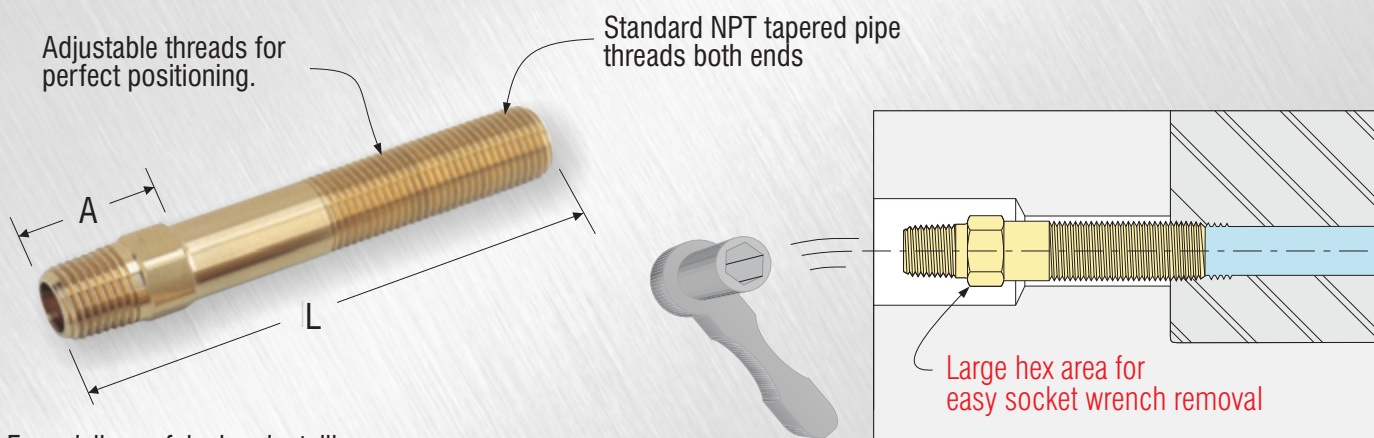
■ **HexKey** Extension Pipes are available in a wide variety of special lengths and threads.

■ Accurate length adjustments are easy with the Custom Mold adjustable thread system.

Catalog Number	Pipe Size A	Pipe Size B	W	O.D.	Hex Key Size	Overall Length "L"					Stock Item
						2½"	4"	5½"	7"	8½"	
EP18-	1/8	1/8	3/4	1/2	1/4	•	•	•	•	•	
EP14-	1/4	1/4	1	11/16	3/8	•	•	•	•	•	
EP38-	3/8	3/8	1 1/4	13/16	1/2	•	•	•	•	•	
EP50-	1/2	1/2	1 1/2	1	9/16	•	•	•	•	•	

To order, specify Catalog Number and Overall Length. Example: EP14-2½

Adjustable Hex Nipples



■ Especially useful when installing Cascade Heads, Hex Elbows, etc. Inside molds and slides.

■ Longer or special exact lengths available.

■ Also available in special thread combinations. (Including BSP)

Catalog Number (NPT)	Pipe Size A	Hex Size	Overall Length "L"									Stock Item
			2½	4	5½	7	8½	10	11½	13		
APN16-	1/16	11/16	3/8	•	•	•	•	•	•	•	•	
APN18-	1/8	3/4	7/16	•	•	•	•	•	•	•	•	
APN14-	1/4	7/8	9/16	•	•	•	•	•	•	•	•	
APN38-	3/8	1	11/16	•	•	•	•	•	•	•	•	
APN12-	1/2	1 3/8	7/8	•	•	•	•	•	•	•	•	

To Order, specify Catalog Number & Overall Length. Example: APN14-2½