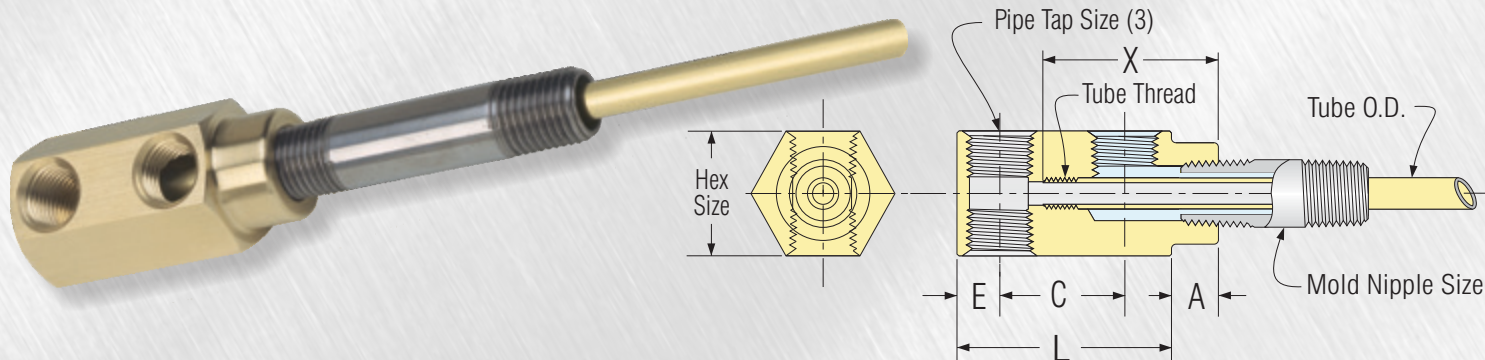


Nipple Type Cascade Assemblies



- Assemblies include brass head, 12" Brass Tube, 2" long galvanized pipe nipple, and brass pipe plug.
- Solid brass heads are precision machined for accurate assembly.
- Cascade Assemblies are available in special pipe tap and tube combinations.

Catalog Number	Pipe Tap Size (NPT)	Mold Nipple (NPT)	Tube O.D.	Brass Tube Included	Hex Size	E	C	A	L	Tube End Ref. X	Stock Item
16N	1/16				3/4	7/32	1/2	9/32	15/16	.90	•
186N	1/8	1/8	3/16	187T-12	7/8	21/64	11/16	9/32	111/32	1.06	•
181N	1/8				7/8	21/64	1	9/32	121/32	1.18	•
146N	1/8				1	21/64	11/16	7/32	111/32	1.05	•
146N-4	1/4	1/4	1/4	250T-12	1	21/64	11/16	7/32	111/32	1.08	•
141N	1/8				1	21/64	1	7/16	121/32	1.44	•
141N-4	1/4				1	21/64	1	7/16	121/32	1.44	•
381N	1/8	3/8	5/16	312T-12	1	11/32	1	13/32	111/16	1.44	•
381N-4	1/4				1	11/32	1	13/32	111/16	1.44	•
121N-4	1/4	1/2	7/16	437T-12	1 1/4	13/32	1	9/16	113/16	1.80	•
341N-4	3/8	3/4	5/8	625T-12	1 1/2	1/2	1 1/4	3/4	2 1/4	2.20	•

Nipple Type Cascade Heads (for Brass Tubes)

- For use with Standard Brass Tubes
- All dimensions same as above for corresponding catalog number.
- Use Brass Tubes or alternate High Flow Stainless Tubes on page 11.



Catalog Number	Tube Thread Size	Standard Brass Tube	Alternate High Flow Tubes	Stock Item
16H				•
186H	10-32	187T-	HF125T-JHF093T-	•
181H				•
146H				•
146H-4	1/4-28	250T-	HF187T-JHF125T-	•
141H				•
141H-4				•
381H	5/16-24	312T-	HF250T-JHF187T-	•
381H-4				•
121H-4	7/16-20	437T-	HF375T-JHF312T-	•
341H-4	5/8-18	625T-	—	•

Order tubes for these heads on page 10-11.

Nipple Type Cascade Heads (for High Flow Tubes)

- Nipple Type Heads for use with HIGH FLOW STAINLESS TUBES
- All dimensions same as above except for tube thread size.
- Use High Flow Stainless Tubes on page 10.



Increase Flow up to 60%

Catalog Number	Tube Thread Size	Standard Tube	Alternate Tube	Stock Item
16H-HFT				•
186H-HFT	1/4-28	HF187T-	JHF125T-	•
181H-HFT				•
146H-HFT				•
146H-4-HFT	5/16-24	HF250T-	JHF187T-	•
141H-HFT				•
141H-4-HFT				•
381H-HFT	3/8-24	HF312T-	JHF250T-	•
381H-4-HFT				•
121H-4-HFT	1/2-20	HF437T-	JHF375T-	•

Order tubes for these heads on page 10.