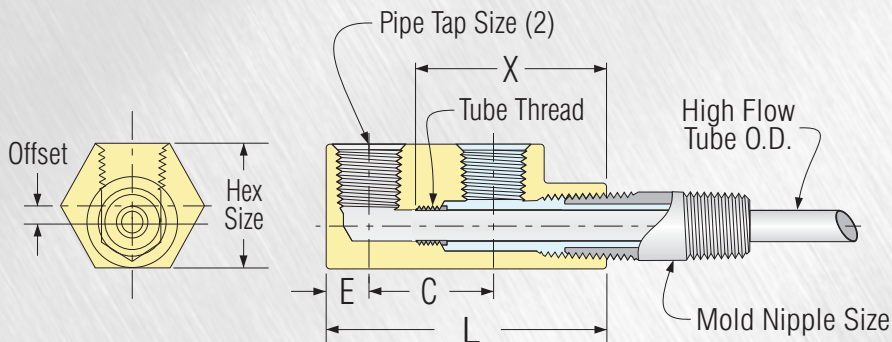


High Flow Cascade Assemblies



Increased inlet areas produce higher flow rates.

If cooling rates are limiting cycle times, or connection leakage is a problem, the High Flow Cascade is the answer.



- 35%-65% higher flow rates than standard Nipple Type Cascades.

- Offset design provides more sealing threads without pipe interference.

- Assemblies include brass head, 12" High Flow Stainless tube, and 2" long galvanized pipe nipple.

Catalog Number	Mold Nipple Size (NPT)	Pipe Tap Size (NPT)	Tube Thread Size	High Flow Tube Included (12" OAL)	Hex Size	Offset	E	C	L	Tube End Ref. X	Stock Item
HF16N	1/16	1/16	10-32	HF125T-12	5/8	3/32	1/4	1/2	1 1/4	.88	•
HF186N	1/8	1/8	1/4-28	HF187T-12	3/4	3/32	5/16	1 1/16	1 3/8	1.14	•
HF181N	1/8	1/8	1/4-28	HF187T-12	3/4	3/32	5/16	1	1 15/16	1.15	•
HF146N-4	1/4	1/4	5/16-24	HF250T-12	1	5/32	1 1/32	1 1/16	1 7/8	1.30	•
HF141N-4	1/4	1/4	5/16-24	HF250T-12	1	5/32	1 1/32	1	2 3/16	1.55	•
HF381N-4	3/8	1/4	7/16-20	HF375T-12	1 1/8	1/8	1 1/32	1	2 1/4	1.64	•
HF121N-4	1/2	1/4	1/2-20	HF437T-12	1 3/8	1/8	3/8	1	2 3/8	1.77	•

See tube specifications on page 10.

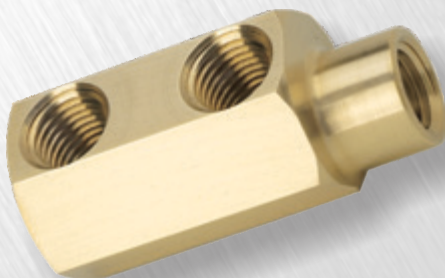
High Flow Cascade Heads Only

- All dimensions same as above for corresponding catalog number.

- High Flow Cascade Heads are available in special pipe tap and tube combinations.

- Order Adjustable Hex Nipples, or other pipe nipples on pages 24-25.

- Select tubes on page 10.



Catalog Number	Tube Thread Size	Standard High Flow Tube No.	Alternate High Flow Tube No.	Stock Item
HF16H	10-32	HF125T-	JHF093T-	•
HF186H	1/4-28	HF187T-	JHF125T-	•
HF181H	1/4-28	HF187T-	JHF125T-	•
HF146H-4	5/16-24	HF250T-	JHF187T-	•
HF141H-4	5/16-24	HF250T-	JHF187T-	•
HF381H-4	7/16-20	HF375T-	JHF312T-	•
HF121H-4	1/2-20	HF437T-	JHF375T-	•

Order tubes for these heads on page 10.