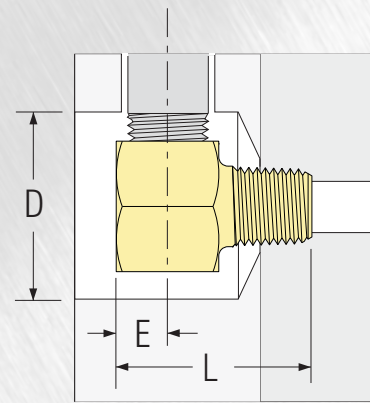
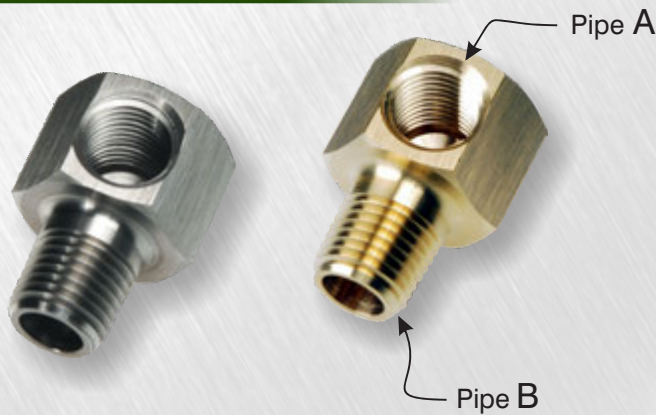




# Male Hex Elbows



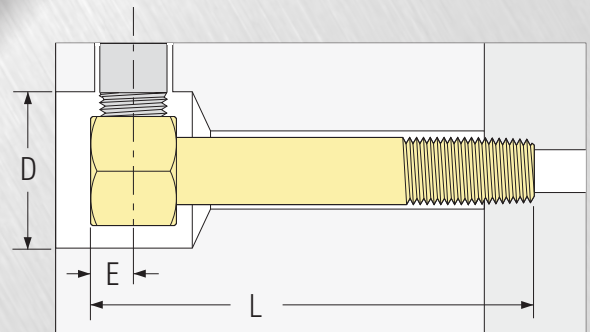
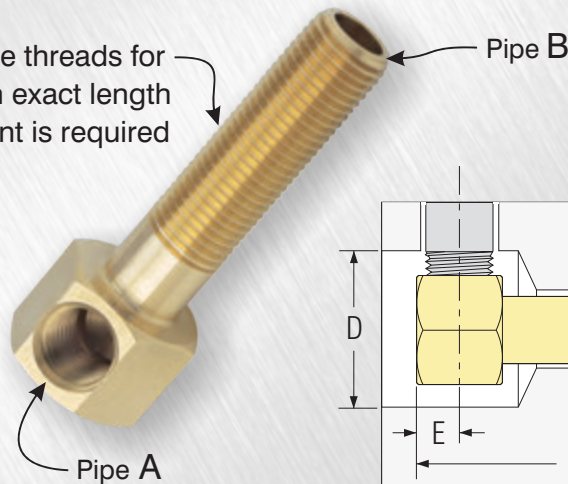
- Available in brass or zinc plated steel.
- Easy socket wrench installation and removal requires minimal clearance.
- Full flow path allows connecting fittings to be torqued tight without choking off flow.

| Steel Catalog Number | Brass Catalog Number | Pipe Size A | Pipe Size B | L      | E     | Wrench Clearance Dia. "D" | Hex Size | Steel | Brass |
|----------------------|----------------------|-------------|-------------|--------|-------|---------------------------|----------|-------|-------|
| M16S                 | M16SB                | 1/16        | 1/16        | 15/16  | 7/32  | 1                         | 9/16     | •     | •     |
| M18S                 | M18SB                | 1/8         | 1/8         | 1 1/16 | 9/32  | 1 1/4                     | 3/4      | •     | •     |
| M1814S               | M1814SB              | 1/8         | 1/4         | 1 1/16 | 9/32  | 1 1/4                     | 3/4      | •     | •     |
| M14S                 | M14SB                | 1/4         | 1/4         | 1 5/16 | 11/32 | 1 3/8                     | 7/8      | •     | •     |
| M1438S               | M1438SB              | 1/4         | 3/8         | 1 5/16 | 11/32 | 1 3/8                     | 7/8      | •     | •     |
| M38S                 | M38SB                | 3/8         | 3/8         | 1 5/8  | 7/16  | 1 1/2                     | 1        | •     | •     |
| M50S                 | M50SB                | 1/2         | 1/2         | 2      | 9/16  | 1 7/8                     | 1 1/4    | •     | •     |
| M75S                 | M75SB                | 3/4         | 3/4         | 2 1/8  | 5/8   | 2 1/4                     | 1 1/2    | •     | •     |

# Brass Extension Elbows

- Positive socket wrench installation.
- One piece construction ensures positive alignment, and complete removal.
- Easy length adjustment with the pre-cut thread system.
- Custom elbows are available in a wide variety of thread combinations. (Including BSPT)

Adjustable threads for use when exact length adjustment is required



| Catalog Number | Pipe Size A | Pipe Size B | Hex Size | Wrench Clearance Dia "D" | E     | Overall Length "L" |    |        |    |        |     |         |     |
|----------------|-------------|-------------|----------|--------------------------|-------|--------------------|----|--------|----|--------|-----|---------|-----|
|                |             |             |          |                          |       | 2 1/2"             | 4" | 5 1/2" | 7" | 8 1/2" | 10" | 11 1/2" | 13" |
| 18B-           | 1/8         | 1/8         | 3/4      | 1 1/4                    | 9/32  | •                  | •  | •      | •  | •      | •   | •       | •   |
| 1814B-         | 1/8         | 1/4         | 3/4      | 1 1/4                    | 9/32  | •                  | •  | •      | •  | •      | •   | •       | •   |
| 14B-           | 1/4         | 1/4         | 7/8      | 1 3/8                    | 11/32 | •                  | •  | •      | •  | •      | •   | •       | •   |
| 1438B-         | 1/4         | 3/8         | 7/8      | 1 3/8                    | 11/32 | •                  | •  | •      | •  | •      | •   | •       | •   |
| 38B-           | 3/8         | 3/8         | 1        | 1 1/2                    | 1/2   | •                  | •  | •      | •  | •      | •   | •       | •   |
| 50B-           | 1/2         | 1/2         | 1 1/4    | 1 3/4                    | 5/8   | •                  | •  | •      | •  | •      | •   | •       | •   |

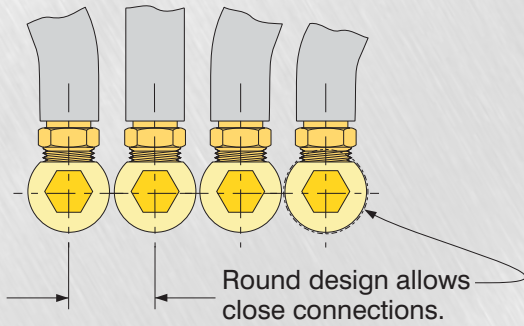
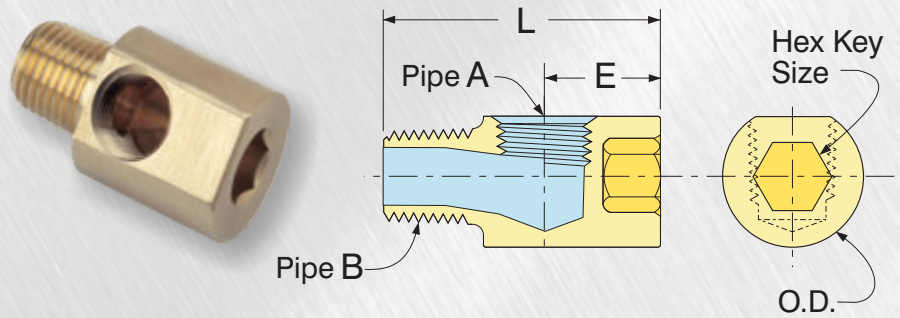
To order, specify Catalog Number and Overall Length  
Example: 14B-2 1/2

STK ITEM

ELBOWS

# Hex Key Street EL's

- **HexKey** Street Elbows install with an Allen wrench for easy assembly in tight spaces.
- Angular flow path allows connecting fittings to be torqued tight without choking off flow.

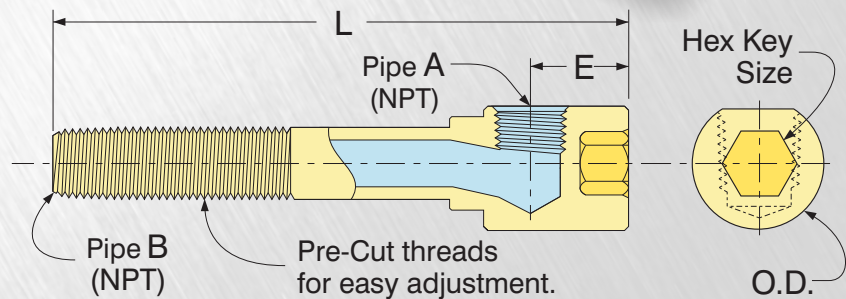


| Catalog Number | Pipe Size A | Pipe Size B | L     | E    | O.D.  | Min. Clearance Diameter | Hex Key Size | Stock Item |
|----------------|-------------|-------------|-------|------|-------|-------------------------|--------------|------------|
| KL16           | 1/16        | 1/16        | 1.156 | .531 | .552  | 9/16                    | 1/4          | •          |
| KL1618         | 1/16        | 1/8         | 1.218 | .531 | .615  | 5/8                     | 5/16         | •          |
| KL18           | 1/8         | 1/8         | 1.312 | .580 | .615  | 5/8                     | 5/16         | •          |
| KL1814         | 1/8         | 1/4         | 1.500 | .593 | .860  | 7/8                     | 3/8          | •          |
| KL14           | 1/4         | 1/4         | 1.625 | .660 | .860  | 7/8                     | 3/8          | •          |
| KL1438         | 1/4         | 3/8         | 1.625 | .712 | .985  | 1                       | 1/2          | •          |
| KL38           | 3/8         | 3/8         | 1.750 | .780 | .985  | 1                       | 1/2          | •          |
| KL50           | 1/2         | 1/2         | 2.250 | .940 | 1.235 | 1 1/4                   | 1/2          | •          |

# Hex Key Extension Elbows

**HexKey** Extension Elbows are round, and install with an Allen wrench. Wrench clearance is not required, making these elbows ideal for use inside the mold, or anywhere space is limited.


- Angular flow path allows connecting pipe fittings to be torqued tight without choking off flow.
- Accurate length adjustments are easy with the patented Custom Mold thread system.

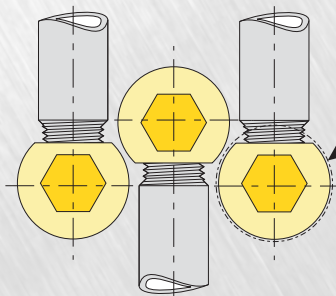
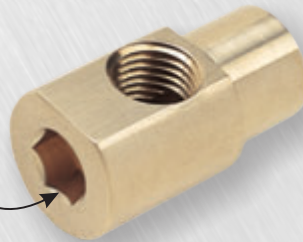


| Catalog Number | Pipe Size A | Pipe Size B | E    | O.D.  | Min. Clearance Diameter | Hex Key Size | Overall Length "L" |    |        |    |        |     |         |     | STK ITEM |   |   |
|----------------|-------------|-------------|------|-------|-------------------------|--------------|--------------------|----|--------|----|--------|-----|---------|-----|----------|---|---|
|                |             |             |      |       |                         |              | 2 1/2"             | 4" | 5 1/2" | 7" | 8 1/2" | 10" | 11 1/2" | 13" |          |   |   |
| EKL16-         | 1/16        | 1/16        | .531 | .552  | 9/16                    | 1/4          | •                  | •  | •      | •  | •      | •   | •       | •   | •        | • | • |
| EKL18-         | 1/8         | 1/8         | .580 | .615  | 5/8                     | 5/16         | •                  | •  | •      | •  | •      | •   | •       | •   | •        | • | • |
| EKL14-         | 1/4         | 1/4         | .660 | .860  | 7/8                     | 3/8          | •                  | •  | •      | •  | •      | •   | •       | •   | •        | • | • |
| EKL38-         | 3/8         | 3/8         | .780 | .985  | 1                       | 1/2          | •                  | •  | •      | •  | •      | •   | •       | •   | •        | • | • |
| EKL50-         | 1/2         | 1/2         | .940 | 1.235 | 1 1/4                   | 1/2          | •                  | •  | •      | •  | •      | •   | •       | •   | •        | • | • |

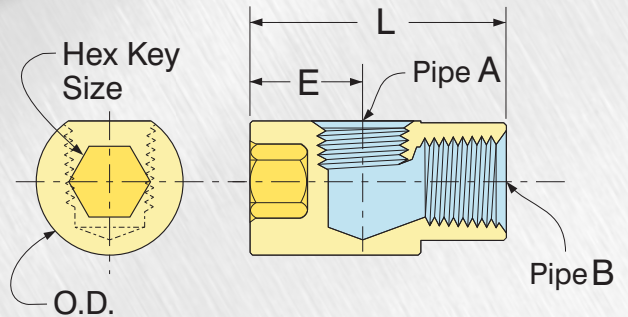
To Order, specify Catalog Number & Overall Length. Example: EKL14-2 1/2

# Hex Key Elbows

 **HexKey** elbows install with an Allen wrench for positive assembly and removal.



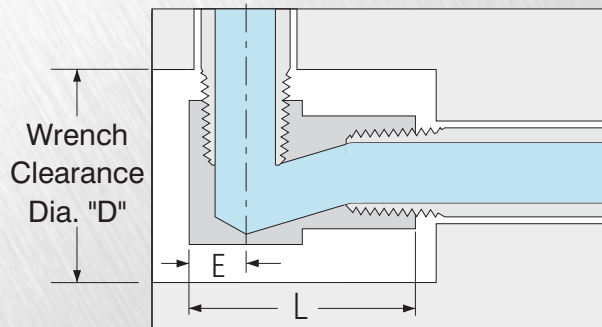
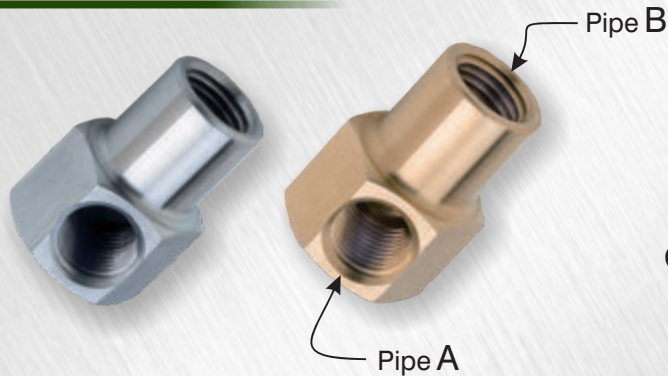
Compact, round design allows for close connections. (See Min. Clearance Dia.)



- Angular coolant path prevents fitting interference at assembly and guarantees full flow. (See Drawing)
- Requires smaller swing clearance than standard pipe elbows.
- Order Adjustable Pipe Nipples, or other pipe nipples on pages 24-25.

| Catalog Number | Pipe Size A | Pipe Size B | L     | E    | O.D.  | Min. Clearance Diameter | Hex Key Size | Stock Item |
|----------------|-------------|-------------|-------|------|-------|-------------------------|--------------|------------|
| HKL16          | 1/16        | 1/16        | 1.125 | .531 | .552  | 9/16                    | 1/4          | •          |
| HKL18          | 1/8         | 1/8         | 1.250 | .580 | .615  | 5/8                     | 5/16         | •          |
| HKL1814        | 1/8         | 1/4         | 1.375 | .593 | .860  | 7/8                     | 3/8          | •          |
| HKL14          | 1/4         | 1/4         | 1.500 | .660 | .860  | 7/8                     | 3/8          | •          |
| HKL1438        | 1/4         | 3/8         | 1.625 | .712 | .985  | 1                       | 1/2          | •          |
| HKL38          | 3/8         | 3/8         | 1.750 | .780 | .985  | 1                       | 1/2          | •          |
| HKL50          | 1/2         | 1/2         | 2.125 | .940 | 1.235 | 1 1/4                   | 1/2          | •          |

# Hex Elbows



- Available in brass or zinc plated steel.
- Easy socket wrench installation and removal.
- Angular flow path allows connecting fittings to be torqued tight without choking off flow.
- Requires much smaller clearance diameter than standard pipe elbows.
- Order Adjustable Pipe Nipples, or other pipe nipples on pages 24-25.

| Steel Catalog Number | Brass Catalog Number | Pipe Size A | Pipe Size B | L     | E     | Wrench Clearance Dia. "D" | Hex Size | Steel | Brass |
|----------------------|----------------------|-------------|-------------|-------|-------|---------------------------|----------|-------|-------|
| 16S                  | 16SB                 | 1/16        | 1/16        | 13/16 | 7/32  | 1                         | 9/16     | •     | •     |
| 18S                  | 18SB                 | 1/8         | 1/8         | 1     | 9/32  | 1 1/4                     | 3/4      | •     | •     |
| 1814S                | 1814SB               | 1/8         | 1/4         | 1 1/4 | 9/32  | 1 1/4                     | 3/4      | •     | •     |
| 14S                  | 14SB                 | 1/4         | 1/4         | 1 3/8 | 11/32 | 1 3/8                     | 7/8      | •     | •     |
| 1438S                | 1438SB               | 1/4         | 3/8         | 1 3/8 | 11/32 | 1 3/8                     | 7/8      | •     | •     |
| 38S                  | 38SB                 | 3/8         | 3/8         | 1 5/8 | 1/2   | 1 1/2                     | 1        | •     | •     |
| 50S                  | 50SB                 | 1/2         | 1/2         | 1 7/8 | 9/16  | 1 7/8                     | 1 1/4    | •     | •     |
| 75S                  | 75SB                 | 3/4         | 3/4         | 2 1/4 | 5/8   | 2 1/4                     | 1 1/2    | •     | •     |

## Reducing Bushings



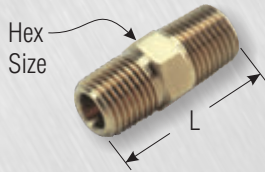
| Catalog Number | Pipe Size  | Stock Item |
|----------------|------------|------------|
| RB18-1         | 1/8 x 1/16 | •          |
| RB14-2         | 1/4 x 1/8  | •          |
| RB38-4         | 3/8 x 1/4  | •          |
| RB50-6         | 1/2 x 3/8  | •          |
| RB75-8         | 3/4 x 1/2  | •          |

## Male Reducers



| Catalog Number | Pipe Size  | L      | Stock Item |
|----------------|------------|--------|------------|
| MR18-1         | 1/8 x 1/16 | 1      | •          |
| MR14-2         | 1/4 x 1/8  | 1 3/16 | •          |
| MR38-4         | 3/8 x 1/4  | 1 7/16 | •          |
| MR50-6         | 1/2 x 3/8  | 1 5/8  | •          |

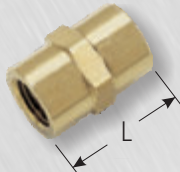
## Hex Nipples



| Catalog Number | Pipe Size | Hex Size | L       | Stock Item |
|----------------|-----------|----------|---------|------------|
| HN-18          | 1/8       | 7/16     | 3 1/32  | •          |
| HN-14          | 1/4       | 9/16     | 1 3/8   | •          |
| HN-38          | 3/8       | 1 1/16   | 1 7/16  | •          |
| HN-50          | 1/2       | 7/8      | 1 13/16 | •          |

For longer Hex Nipples, see page 24.

## Hex Couplings



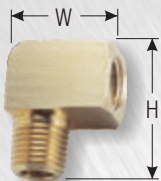
| Catalog Number | Pipe Size | L     | Stock Item |
|----------------|-----------|-------|------------|
| C-18           | 1/8       | 3/4   | •          |
| C-14           | 1/4       | 1 1/8 | •          |
| C-38           | 3/8       | 1 1/8 | •          |
| C-50           | 1/2       | 1 1/2 | •          |

## 45° Street EL's



| Catalog Number | Pipe Size | Stock Item |
|----------------|-----------|------------|
| AL-18          | 1/8       | •          |
| AL-14          | 1/4       | •          |
| AL-38          | 3/8       | •          |
| AL-50          | 1/2       | •          |

## 90° Street EL's



| Catalog Number | Pipe Size | W      | H      | Stock Item |
|----------------|-----------|--------|--------|------------|
| SL-18          | 1/8       | 1 1/16 | 1 5/16 | •          |
| SL-14          | 1/4       | 1      | 1 1/4  | •          |
| SL-38          | 3/8       | 1 1/8  | 1 3/8  | •          |
| SL-50          | 1/2       | 1 1/2  | 1 3/4  | •          |

1/16" Street EL's available on Pg. 26-27.

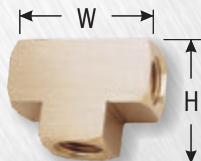
## 90° Elbows



| Catalog Number | Pipe Size | W      | Stock Item |
|----------------|-----------|--------|------------|
| EL-18          | 1/8       | 1 3/16 | •          |
| EL-14          | 1/4       | 1 1/8  | •          |
| EL-38          | 3/8       | 1 1/4  | •          |
| EL-50          | 1/2       | 1 9/16 | •          |

1/16" Elbows available on Pg. 28.

## TEE's



| Catalog Number | Pipe Size | W       | H      | Stock Item |
|----------------|-----------|---------|--------|------------|
| T-18           | 1/8       | 1 1/16  | 1 3/16 | •          |
| T-14           | 1/4       | 1 1/2   | 1 1/8  | •          |
| T-38           | 3/8       | 1 11/16 | 1 1/4  | •          |
| T-50           | 1/2       | 2 1/8   | 1 9/16 | •          |

## Male Hose Barbs

- For use with any hose. Use Hose Clamps, below.



| Catalog Number | Hose I.D. | Pipe Size | Stock Item |
|----------------|-----------|-----------|------------|
| MB14-2         | 1/4       | 1/8       | •          |
| MB14-4         | 1/4       | 1/4       | •          |
| MB15-2         | 5/16      | 1/8       | •          |
| MB15-4         | 5/16      | 1/4       | •          |
| MB38-2         | 3/8       | 1/8       | •          |
| MB38-4         | 3/8       | 1/4       | •          |
| MB50-4         | 1/2       | 1/4       | •          |
| MB50-6         | 1/2       | 3/8       | •          |
| MB50-8         | 1/2       | 1/2       | •          |
| MB75-8         | 3/4       | 1/2       | •          |
| MB75-12        | 3/4       | 3/4       | •          |

## Push-Lok Barbs

- Push-Lok Hose do not require the use of hose clamps when used with Push-Lok hose.



| Catalog Number | Hose I.D. | Pipe Size | Stock Item |
|----------------|-----------|-----------|------------|
| PLM-04-01      | 1/4       | 1/16      | •          |
| PLM-04-02      | 1/4       | 1/8       | •          |
| PLM-04-04      | 1/4       | 1/4       | •          |
| PLM-06-02      | 3/8       | 1/8       | •          |
| PLM-06-04      | 3/8       | 1/4       | •          |
| PLM-06-06      | 3/8       | 3/8       | •          |
| PLM-06-08      | 3/8       | 1/2       | •          |
| PLM-08-04      | 1/2       | 1/4       | •          |
| PLM-08-06      | 1/2       | 3/8       | •          |
| PLM-08-08      | 1/2       | 1/2       | •          |
| PLM-08-12      | 1/2       | 3/4       | •          |
| PLM-12-08      | 3/4       | 1/2       | •          |
| PLM-12-12      | 3/4       | 3/4       | •          |

## Female Hose Barbs

- For use with any hose. See hose clamps below.



| Catalog Number | Hose I.D. | Pipe Size | Stock Item |
|----------------|-----------|-----------|------------|
| FB14-2         | 1/4       | 1/8       | •          |
| FB14-4         | 1/4       | 1/4       | •          |
| FB15-4         | 5/16      | 1/4       | •          |
| FB38-2         | 3/8       | 1/8       | •          |
| FB38-4         | 3/8       | 1/4       | •          |
| FB50-6         | 1/2       | 3/8       | •          |
| FB50-8         | 1/2       | 1/2       | •          |

## Hose Splicers



| Catalog Number | Hose I.D. | Stock Item |
|----------------|-----------|------------|
| HS-14          | 1/4 x 1/4 | •          |
| HS-38          | 3/8 x 3/8 | •          |
| HS-50          | 1/2 x 1/2 | •          |

## Hose Clamps



| Catalog Number | Max. Hose O.D. | Stock Item |
|----------------|----------------|------------|
| HC-58          | 5/8            | •          |
| HC-78          | 7/8            | •          |
| HC-118         | 1 1/8          | •          |

## Teflon Tape



| Catalog Number | Roll Size  | Stock Item |
|----------------|------------|------------|
| TL-250         | 1/4 x 520" | •          |
| TL-500         | 1/2 x 520" | •          |