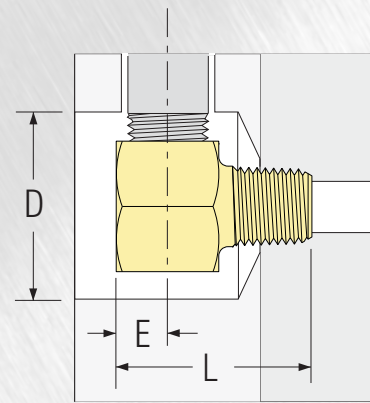
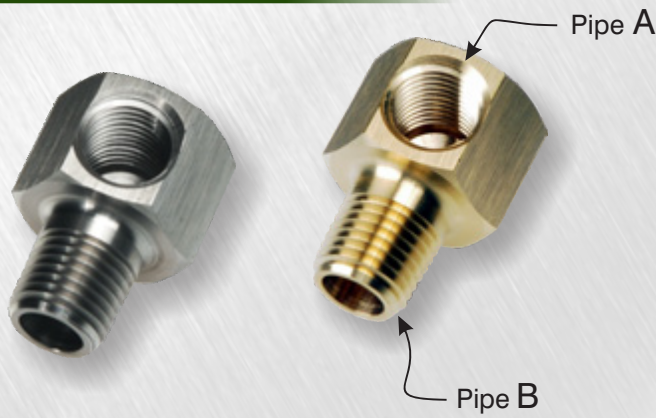


Male Hex Elbows



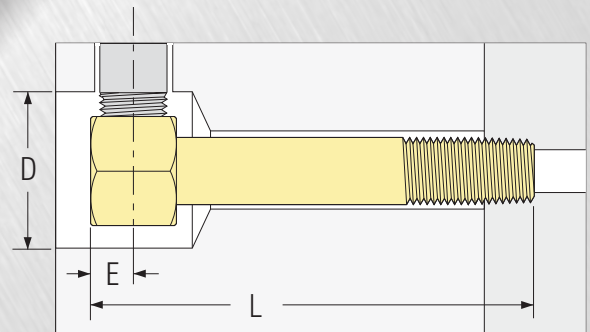
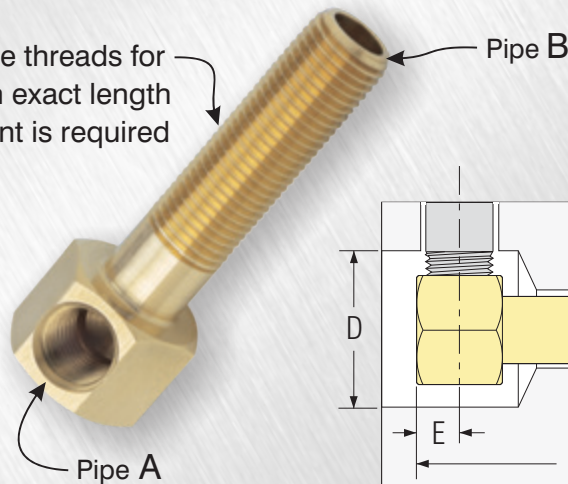
- Available in brass or zinc plated steel.
- Easy socket wrench installation and removal requires minimal clearance.
- Full flow path allows connecting fittings to be torqued tight without choking off flow.

Steel Catalog Number	Brass Catalog Number	Pipe Size A	Pipe Size B	L	E	Wrench Clearance Dia. "D"	Hex Size	Steel	Brass
M16S	M16SB	1/16	1/16	15/16	7/32	1	9/16	•	•
M18S	M18SB	1/8	1/8	1 1/16	9/32	1 1/4	3/4	•	•
M1814S	M1814SB	1/8	1/4	1 1/16	9/32	1 1/4	3/4	•	•
M14S	M14SB	1/4	1/4	1 5/16	11/32	1 3/8	7/8	•	•
M1438S	M1438SB	1/4	3/8	1 5/16	11/32	1 3/8	7/8	•	•
M38S	M38SB	3/8	3/8	1 5/8	7/16	1 1/2	1	•	•
M50S	M50SB	1/2	1/2	2	9/16	1 7/8	1 1/4	•	•
M75S	M75SB	3/4	3/4	2 1/8	5/8	2 1/4	1 1/2	•	•

Brass Extension Elbows

- Positive socket wrench installation.
- One piece construction ensures positive alignment, and complete removal.
- Easy length adjustment with the pre-cut thread system.
- Custom elbows are available in a wide variety of thread combinations. (Including BSPT)

Adjustable threads for use when exact length adjustment is required



Catalog Number	Pipe Size A	Pipe Size B	Hex Size	Wrench Clearance Dia "D"	E	Overall Length "L"							
						2 1/2"	4"	5 1/2"	7"	8 1/2"	10"	11 1/2"	13"
18B-	1/8	1/8	3/4	1 1/4	9/32	•	•	•	•	•	•	•	•
1814B-	1/8	1/4	3/4	1 1/4	9/32	•	•	•	•	•	•	•	•
14B-	1/4	1/4	7/8	1 3/8	11/32	•	•	•	•	•	•	•	•
1438B-	1/4	3/8	7/8	1 3/8	11/32	•	•	•	•	•	•	•	•
38B-	3/8	3/8	1	1 1/2	1/2	•	•	•	•	•	•	•	•
50B-	1/2	1/2	1 1/4	1 3/4	5/8	•	•	•	•	•	•	•	•

To order, specify Catalog Number and Overall Length
Example: 14B-2 1/2

STK ITEM