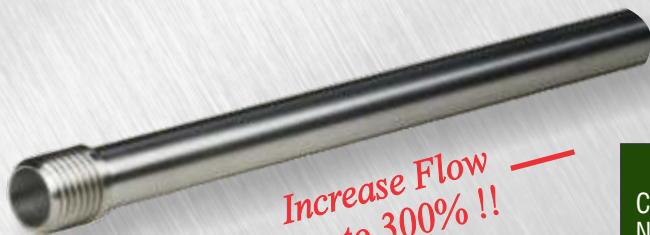
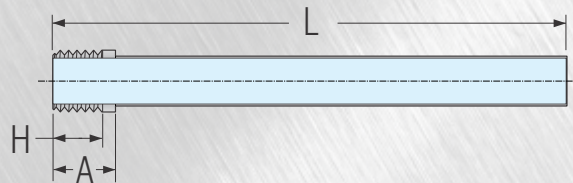


High-Flow Stainless Tubes



*Increase Flow
up to 300% !!*



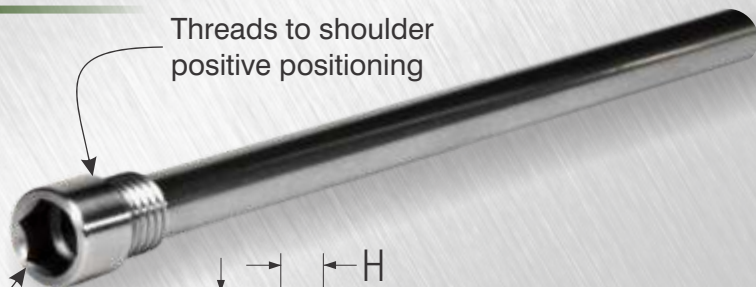
Catalog Number	Thread Size	Tube O.D.	Tube I.D.	Thread Length		Overall Length "L"				
				H	A	12"	18"	24"	36"	Lengths to 10 ft.
HF072T-	5-44	.072	.060	.125	.140	•	•	•	•	•
JHF072T-	10-32			.156	.203	•	•	•	•	•
HF093T-	5-44	.090	.076	.125	.140	•	•	•	•	•
JHF093T-	10-32			.156	.203	•	•	•	•	•
HF125T-	10-32	.125	.109	.156	.203	•	•	•	•	•
JHF125T-	1/4-28			.203	.255	•	•	•	•	•
HF187T-	1/4-28	.187	.167	.203	.255	•	•	•	•	•
JHF187T-	5/16-24			.235	.290	•	•	•	•	•
HF250T-	5/16-24	.250	.230	.235	.290	•	•	•	•	•
JHF250T-	3/8-24			.296	.359	•	•	•	•	•
HF312T-	3/8-24	.312	.288	.296	.359	•	•	•	•	•
JHF312T-	7/16-20			.359	.437	•	•	•	•	•
HF375T-	7/16-20	.365	.340	.359	.437	•	•	•	•	•
JHF375T-	1/2-20			.421	.500	•	•	•	•	•
HF437T-	1/2-20	.427	.397	.421	.500	•	•	•	•	•
JHF437T-	9/16-18			.421	.500	•	•	•	•	•
HF500T-	9/16-18	.500	.444	.421	.531	•	•	•	•	•
JHF500T-	5/8-18			.421	.531	•	•	•	•	•

STOCK ITEM

To order, specify Catalog Number and Overall Length. Example: HF250T-18

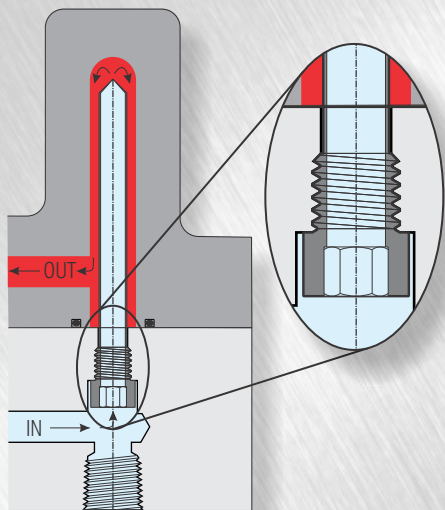
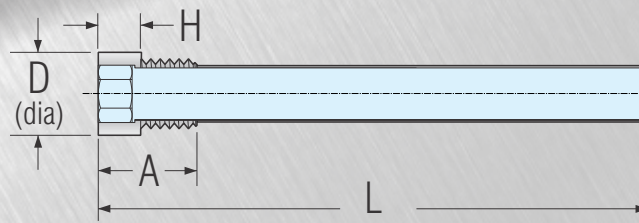
R-Style High-Flow Tubes

- All stainless construction for high strength and durability.
- We stock over 150 sizes of thin wall stainless tube. (See adjacent page)
- We build stepped tube assemblies and custom threaded tubes to your print.



Threads to shoulder positive positioning

Hex wrench installation



Can install from alternate locations, even after plates are assembled, for easier maintenance, and quicker inspections.

Catalog Number	Thread Size	Tube O.D.	Tube I.D.	Wrench Size	Head		Dia. D	Overall Length L			
					Height H	Length A		12"	18"	24"	36"
R072T-	5-44	.072	.060	1/8	.156	.312	.182	•	•	•	•
JR072T-	10-32			1/8	.187	.406	.245	•	•	•	•
R090T-	5-44	.090	.076	1/8	.156	.312	.182	•	•	•	•
JR090T-	10-32			1/8	.187	.406	.245	•	•	•	•
R125T-	10-32	.125	.109	5/32	.187	.406	.245	•	•	•	•
JR125T-	1/4-28			5/32	.187	.406	.307	•	•	•	•
R187T-	1/4-28	.187	.167	3/16	.250	.500	.307	•	•	•	•
JR187T-	5/16-24			1/4	.281	.562	.370	•	•	•	•
R250T-	5/16-24	.250	.230	1/4	.281	.562	.370	•	•	•	•
JR250T-	3/8-24			5/16	.312	.625	.495	•	•	•	•
R312T-	3/8-24	.312	.288	5/16	.312	.625	.495	•	•	•	•
JR312T-	1/2-20			3/8	.375	.750	.620	•	•	•	•

STOCK ITEM

To order, specify Catalog Number and Overall Length. Example: R250T-18